



LED Slim Downlight Ecomax III

Features

- High lumen output
- Long lifespan
- Easy to repair
- Looking good

Benefits

- Up to 50% energy saving compared to conventional downlight
- Lasts 3 times longer than conventional downlight, up to 30000hrs lifetime
- Independent driver can be replaced by professionals
- A slim, stylish body gives this luminaire a modern aesthetic that brings beauty to any space

Application



Specification

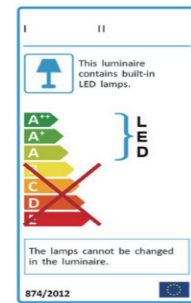
Item Code	Item Description	Power (W)	Power Factor	Lumen (lm)	Efficacy (lm/W)	Input Current (mA)	CRI	CCT (K)	Lifetime (L70B50)	MOQ (pcs)
140062536	LEDDownlightRc-ESIII R100-6W-3000-WH-NV	6	0.5	450	75	60	>80	3000	30000	600
140062537	LEDDownlightRc-ESIII R100-6W-4000-WH-NV	6	0.5	480	80	60	>80	4000	30000	600
140062538	LEDDownlightRc-ESIII R100-6W-6500-WH-NV	6	0.5	480	80	60	>80	6500	30000	600
140062539	LEDDownlightRc-ESIII R150-12W-3000-WH-NV	12	0.5	900	75	105	>80	3000	30000	600
140062540	LEDDownlightRc-ESIII R150-12W-4000-WH-NV	12	0.5	960	80	105	>80	4000	30000	600
140062541	LEDDownlightRc-ESIII R150-12W-6500-WH-NV	12	0.5	960	80	105	>80	6500	30000	600
140062542	LEDDownlightRc-ESIII R200-18W-3000-WH-NV	18	0.5	1350	75	150	>80	3000	30000	600
140062543	LEDDownlightRc-ESIII R200-18W-4000-WH-NV	18	0.5	1440	80	150	>80	4000	30000	600
140062544	LEDDownlightRc-ESIII R200-18W-6500-WH-NV	18	0.5	1440	80	150	>80	6500	30000	600
140062545	LEDDownlightRc-ESIII R200-24W-3000-WH-NV	24	0.5	1800	75	180	>80	3000	30000	600
140062546	LEDDownlightRc-ESIII R200-24W-4000-WH-NV	24	0.5	1920	80	180	>80	4000	30000	600
140062547	LEDDownlightRc-ESIII R200-24W-6500-WH-NV	24	0.5	1920	80	180	>80	6500	30000	600
140062548	LEDDownlightRc-ESIII S100-6W-3000-WH-NV	6	0.5	450	75	60	>80	3000	30000	600
140062549	LEDDownlightRc-ESIII S100-6W-4000-WH-NV	6	0.5	480	80	60	>80	4000	30000	600
140062550	LEDDownlightRc-ESIII S100-6W-6500-WH-NV	6	0.5	480	80	60	>80	6500	30000	600
140062551	LEDDownlightRc-ESIII S150-12W-3000-WH-NV	12	0.5	900	75	105	>80	3000	30000	600
140062552	LEDDownlightRc-ESIII S150-12W-4000-WH-NV	12	0.5	960	80	105	>80	4000	30000	600
140062553	LEDDownlightRc-ESIII S150-12W-6500-WH-NV	12	0.5	960	80	105	>80	6500	30000	600
140062554	LEDDownlightRc-ESIII S200-18W-3000-WH-NV	18	0.5	1350	75	150	>80	3000	30000	600
140062555	LEDDownlightRc-ESIII S200-18W-4000-WH-NV	18	0.5	1440	80	150	>80	4000	30000	600
140062556	LEDDownlightRc-ESIII S200-18W-6500-WH-NV	18	0.5	1440	80	150	>80	6500	30000	600
140062557	LEDDownlightRc-ESIII S200-24W-3000-WH-NV	24	0.5	1800	75	180	>80	3000	30000	600
140062558	LEDDownlightRc-ESIII S200-24W-4000-WH-NV	24	0.5	1920	80	180	>80	4000	30000	600
140062559	LEDDownlightRc-ESIII S200-24W-6500-WH-NV	24	0.5	1920	80	180	>80	6500	30000	600

Technical Specifications	
On/Off Cycles	50000
Color Consistency (SDCM)	≤6
Dimmable	No
Beam Angle (°)	120
Finishing Color	White
IP	IP20
Driver Integrated (Yes/No)	NO
Glow Wire Test	650°C
Driver Failure Rate	1% at 50000h
Weight (kg/pc)	0.12/ 0.18/ 0.275/ 0.135/ 0.21/ 0.325

Electrical Supply	
Frequency (Hz)	50/60
Voltage (V)	220-240V
AC/DC	AC

Mechanical Properties	
Housing Material	PC
Optical Material	PC

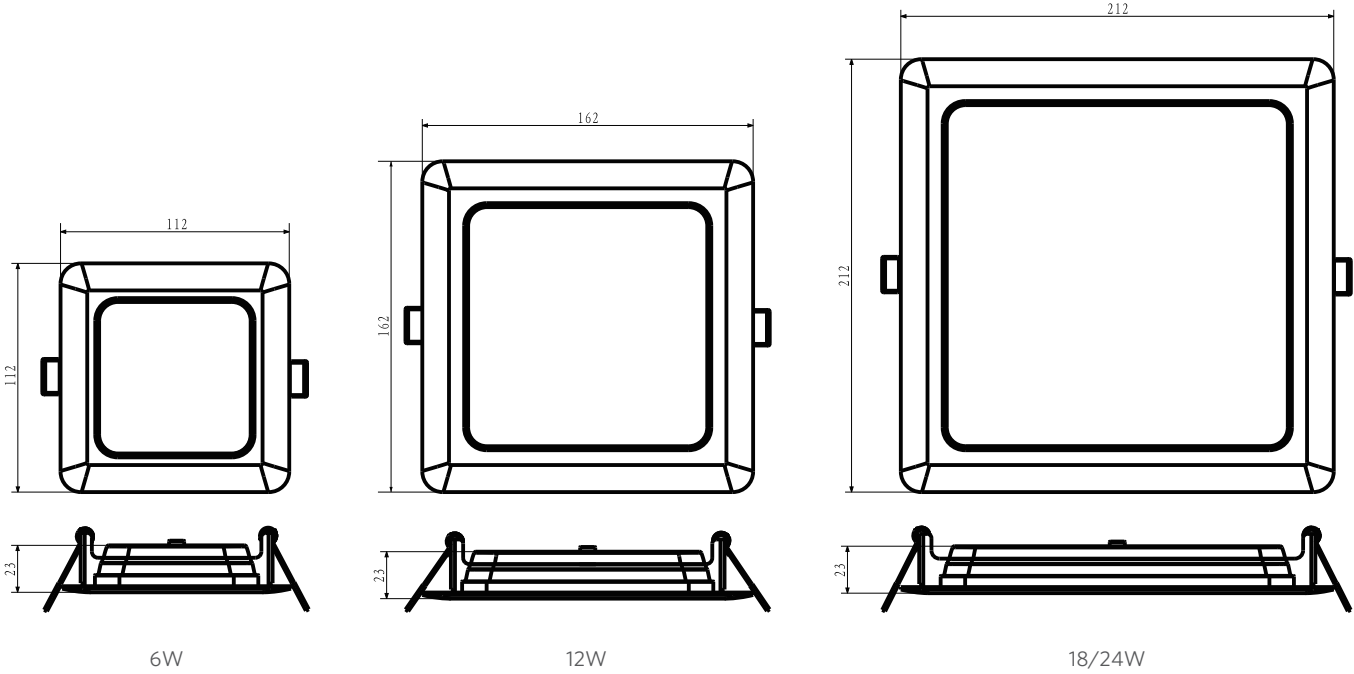
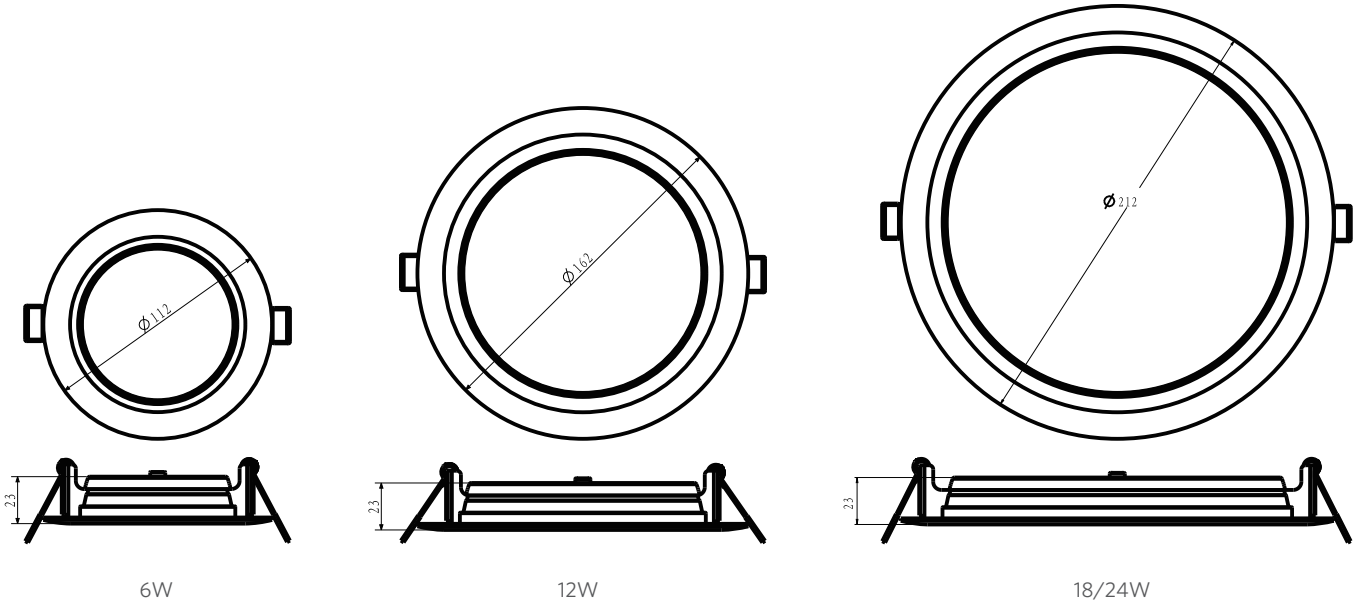
Application Conditions	
Operating Temperature	-10 ~ +40°C
Application Temperature	25°C
Storage Environment	-25 ~ +50°C



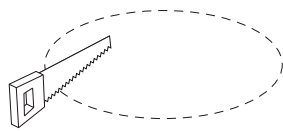
Packaging Information

Item Code	Item Description	Single Box(1pc/box)		Outer box		
		Dimensions(mm) (LxWxH)	Gross Weight (kg)	Dimensions(mm) (LxWxH)	Gross Weight (kg)	Packing Qty (pc/unit)
140062536	LEDDownlightRc-ESIII R100-6W-3000-WH-NV	144*44*129	0.19	445*235*275	5.58	30
140062537	LEDDownlightRc-ESIII R100-6W-4000-WH-NV	144*44*129	0.19	445*235*275	5.58	30
140062538	LEDDownlightRc-ESIII R100-6W-6500-WH-NV	144*44*129	0.19	445*235*275	5.58	30
140062539	LEDDownlightRc-ESIII R150-12W-3000-WH-NV	189*44*166	0.27	390*235*350	5.36	20
140062540	LEDDownlightRc-ESIII R150-12W-4000-WH-NV	189*44*166	0.27	390*235*350	5.36	20
140062541	LEDDownlightRc-ESIII R150-12W-6500-WH-NV	189*44*166	0.27	390*235*350	5.36	20
140062542	LEDDownlightRc-ESIII R200-18W-3000-WH-NV	240*44*216	0.41	495*235*235	4.1	10
140062543	LEDDownlightRc-ESIII R200-18W-4000-WH-NV	240*44*216	0.41	495*235*235	4.1	10
140062544	LEDDownlightRc-ESIII R200-18W-6500-WH-NV	240*44*216	0.41	495*235*235	4.1	10
140062545	LEDDownlightRc-ESIII R200-24W-3000-WH-NV	240*44*216	0.41	495*235*235	4.1	10
140062546	LEDDownlightRc-ESIII R200-24W-4000-WH-NV	240*44*216	0.41	495*235*235	4.1	10
140062547	LEDDownlightRc-ESIII R200-24W-6500-WH-NV	240*44*216	0.41	495*235*235	4.1	10
140062548	LEDDownlightRc-ESIII S100-6W-3000-WH-NV	144*44*144	0.20	445*235*305	6.06	30
140062549	LEDDownlightRc-ESIII S100-6W-4000-WH-NV	144*44*144	0.20	445*235*305	6.06	30
140062550	LEDDownlightRc-ESIII S100-6W-6500-WH-NV	144*44*144	0.20	445*235*305	6.06	30
140062551	LEDDownlightRc-ESIII S150-12W-3000-WH-NV	189*44*184	0.31	390*235*385	6.18	20
140062552	LEDDownlightRc-ESIII S150-12W-4000-WH-NV	189*44*184	0.31	390*235*385	6.18	20
140062553	LEDDownlightRc-ESIII S150-12W-6500-WH-NV	189*44*184	0.31	390*235*385	6.18	20
140062554	LEDDownlightRc-ESIII S200-18W-3000-WH-NV	240*44*234	0.47	495*235*250	4.7	10
140062555	LEDDownlightRc-ESIII S200-18W-4000-WH-NV	240*44*234	0.47	495*235*250	4.7	10
140062556	LEDDownlightRc-ESIII S200-18W-6500-WH-NV	240*44*234	0.47	495*235*250	4.7	10
140062557	LEDDownlightRc-ESIII S200-24W-3000-WH-NV	240*44*234	0.47	495*235*250	4.7	10
140062558	LEDDownlightRc-ESIII S200-24W-4000-WH-NV	240*44*234	0.47	495*235*250	4.7	10
140062559	LEDDownlightRc-ESIII S200-24W-6500-WH-NV	240*44*234	0.47	495*235*250	4.7	10

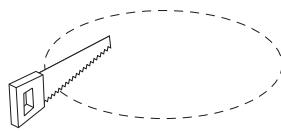
Dimensional Drawing



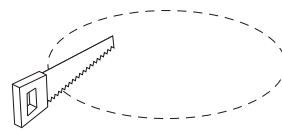
Cut-out Drawing



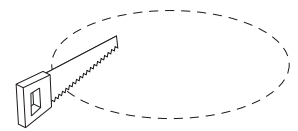
Ø100
6W



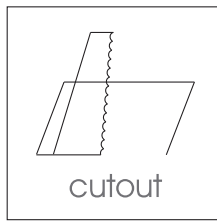
Ø150
12W



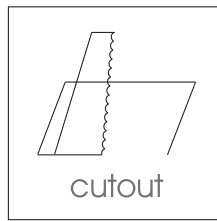
Ø200
18W



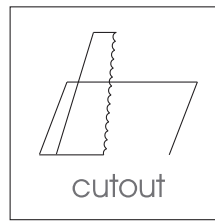
Ø200
24W



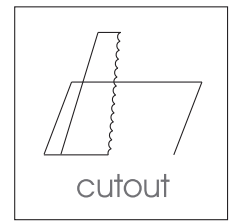
100X100
6W



150X150
12W

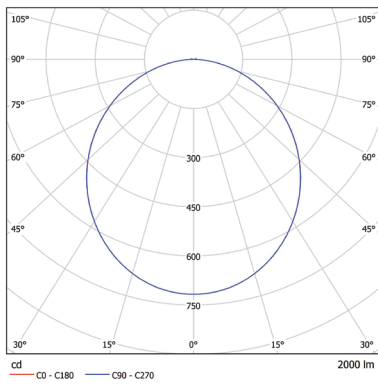


200X200
18W



200X200
24W

Photometric Data



120° (6W/12W/18W/24W)