




Magnetic MOON

Model: MOON S+B



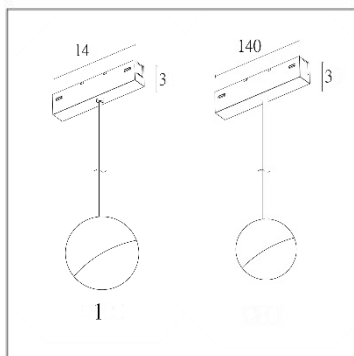
Technical Data 	
Light source	SAMSUNG
System wattage	5 / 10
Lumen flux	400 / 900
Color temperature	3000K
Color rendering index	Ra≤90
Beam angle	100D
Service lifetime	50,000 Hours
Ingress protection	IP20 installed
Operation voltage	48V
Operation temperature	-20~400
UGR	19<
Construction	Aluminum
WARRENTY	3 years



Ordering Data

Model	Finish	Power	CCT	CRI	CRI
MOON	Black WHITE GOLD	5 10	3000	90	90

Diagram



Features

- 48V
- 1-10 DIMMING
- 100LM/W
- Non flicker

Accessories

- Magnetic

