




# Magnetic TUBE

## Model: TUBE S+L



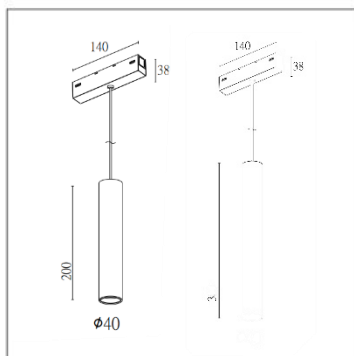
Technical Data 	
Light source	SAMSUNG
System wattage	5
Lumen flux	450
Color temperature	3000K
Color rendering index	Ra≤90
Beam angle	38D
Service lifetime	50,000 Hours
Ingress protection	IP20 installed
Operation voltage	48V
Operation temperature	-20~400
UGR	19<
Construction	Aluminum
WARRENTY	3 years



### Ordering Data

Model	Finish	Power	CCT	CRI	CRI
TUBE	Black WHITE	5	3000	90	90

### Diagram



### Features

- 48V
- 1-10 DIMMING
- 100LM/W
- Non flicker

### Accessories

- Magnetic

